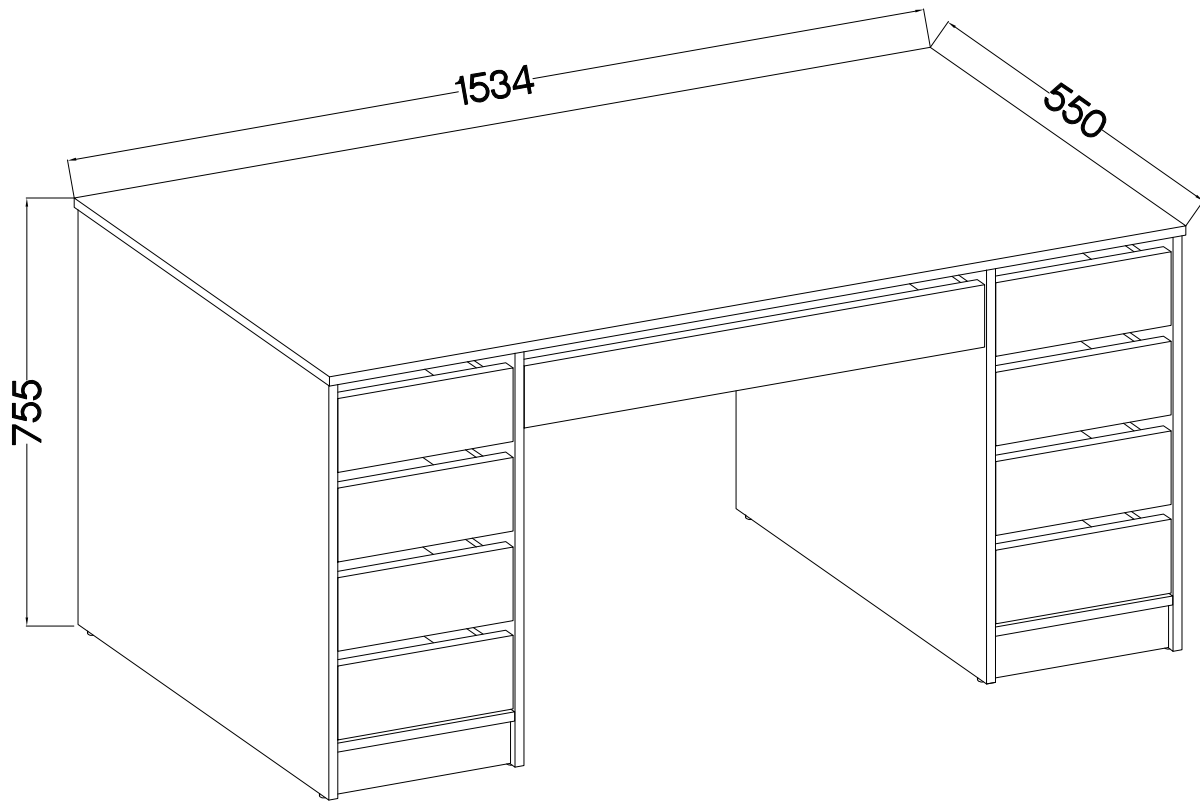
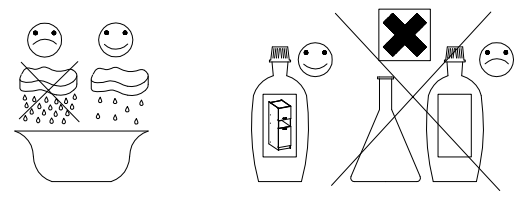
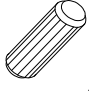

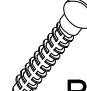



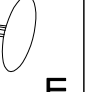



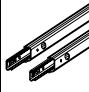
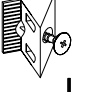





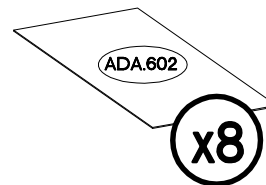
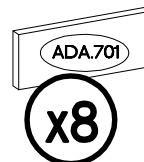
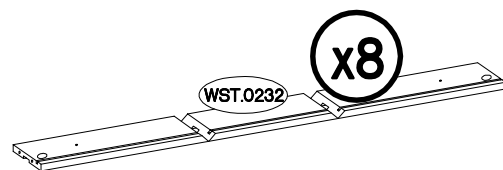
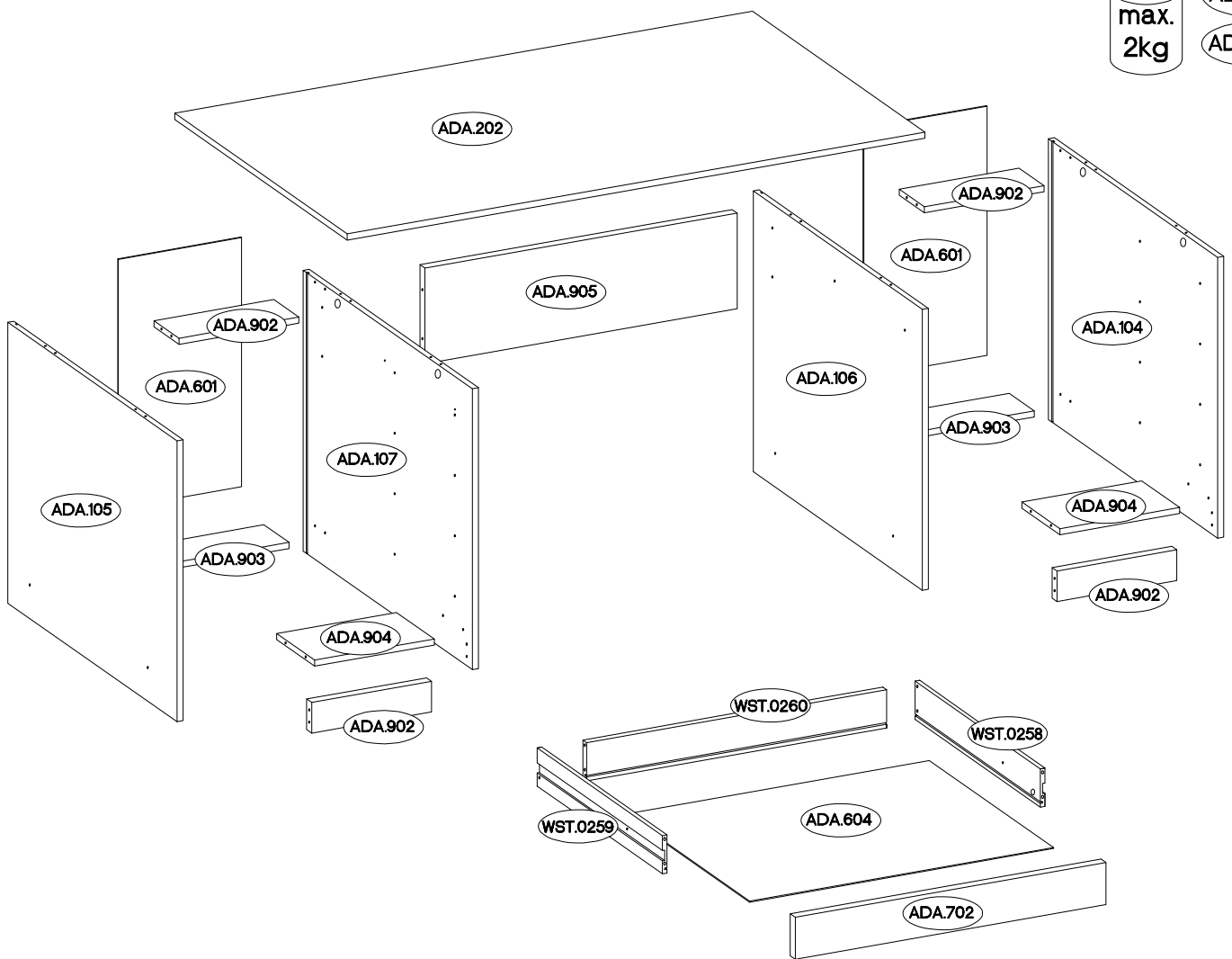
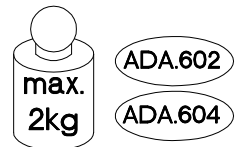
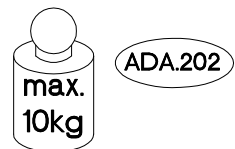
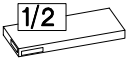


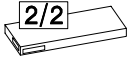
150 min




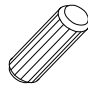
 ±8x30mm A 52	 6,4 x 50mm B 12	 ±6x42mm B2 2	 ±15/12mm C 8	 ±12/10mm C5 18	 L=20/8mm D9 26	 E 8	 E1 8	 ±15x5mm F4 8	 17/310mm I2 8	 27/310mm I4 1	 L 4	 ±5.0x13mm M 36	 O 1	 0,05 O11 2	 ±3.0x20mm P7 16-20	 M4x9mm U1 18
--	--	---	---	---	---	---	---	---	--	--	--	---	--	---	---	---

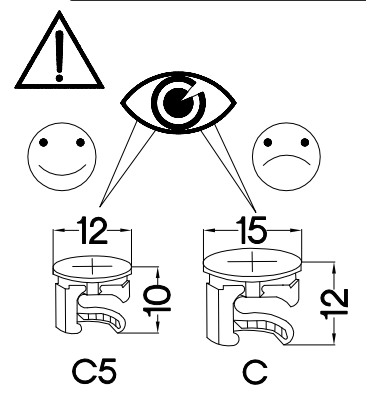
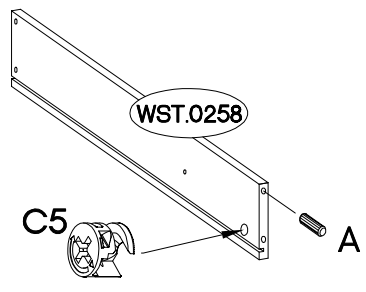
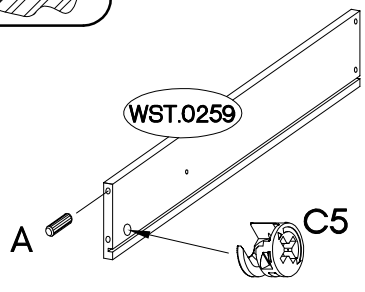
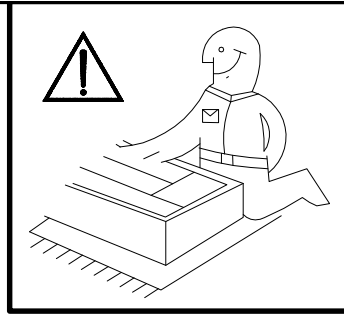
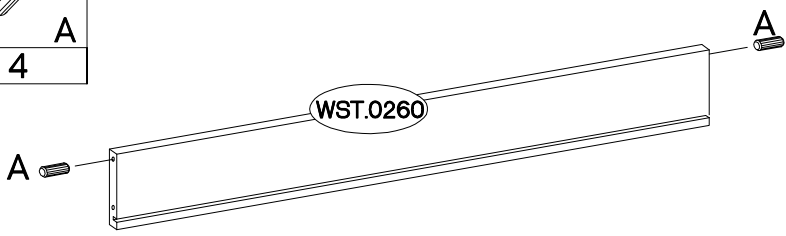
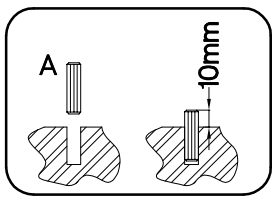


	ADA.104	734x540x16
	ADA.105	734x540x16
	ADA.106	734x540x16
	ADA.107	734x540x16
	ADA.601 x2	651x327x2,5
	ADA.604	807x397x2,5
	ADA.701 x8	130x314x16
	ADA.702	110x825x16
	ADA.905	829x250x16
	ADA.902 x4	318x80x16


	ADA.202	1534x550x16
	ADA.602x8	296x399x2,5
	WST.0258	400x100x12
	WST.0259	400x100x12
	WST.0260	796x100x12
	WST.0232 x 8	(400x309x400)x80x12

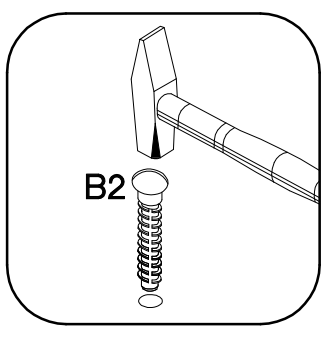
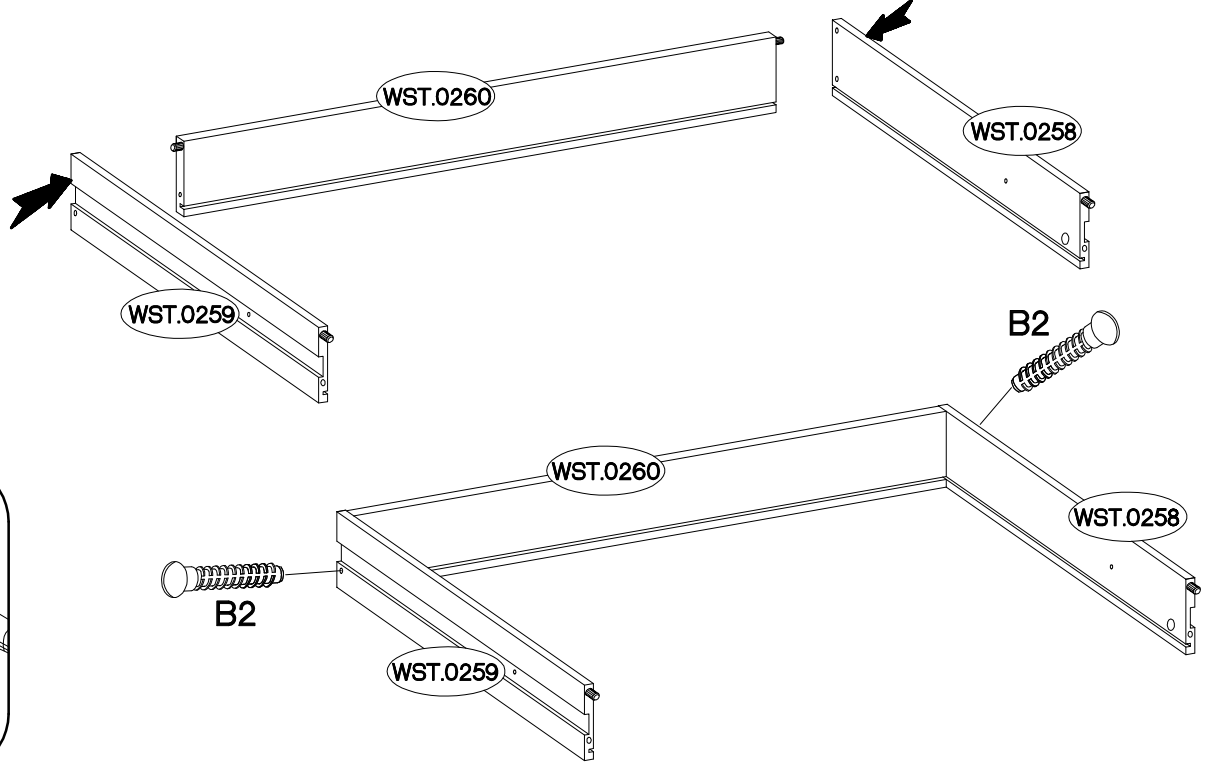
1

#12/10mm  C5 2	#8x30mm  A 4
---	---




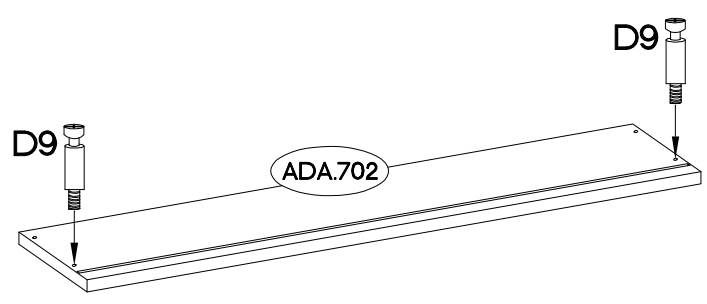
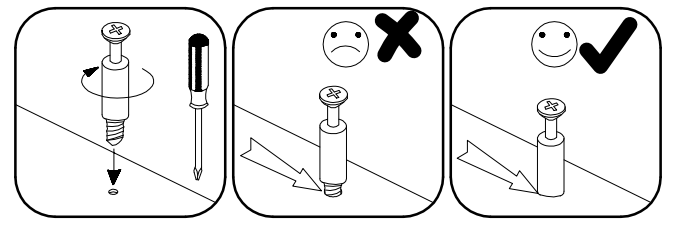
2

#6x42mm  B2 2

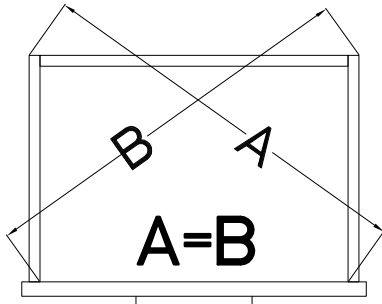
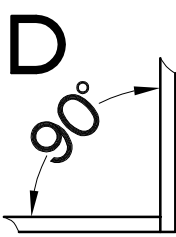
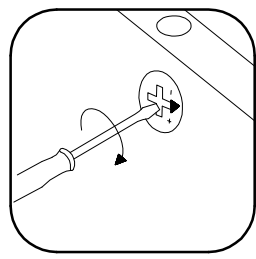
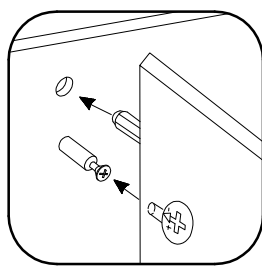
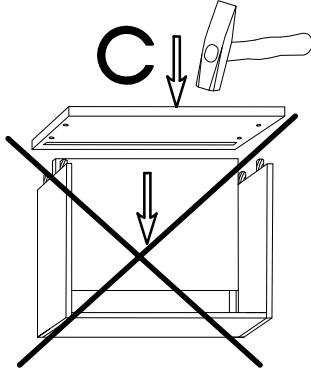
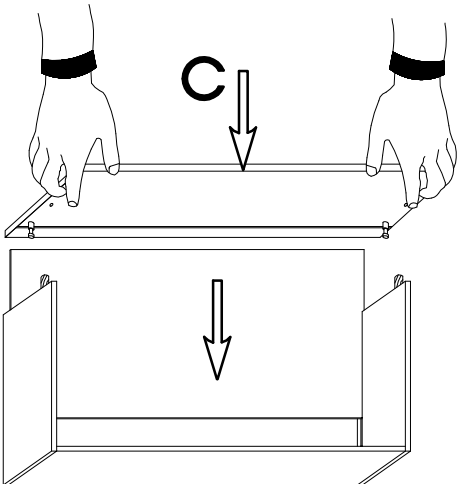
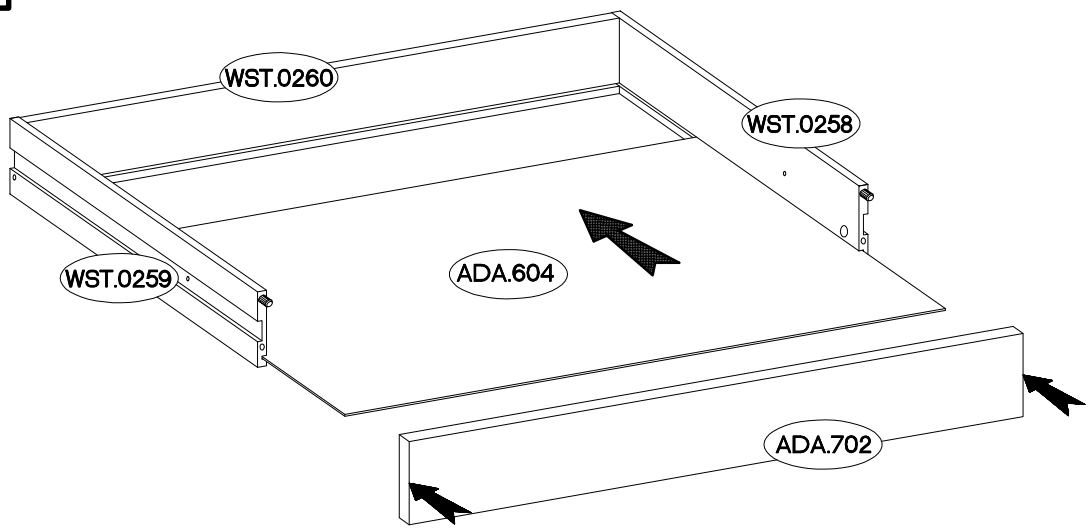
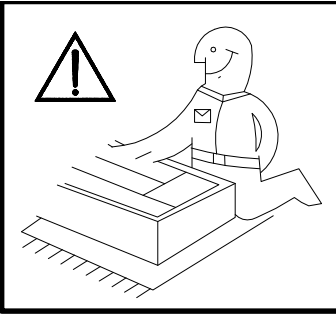


3

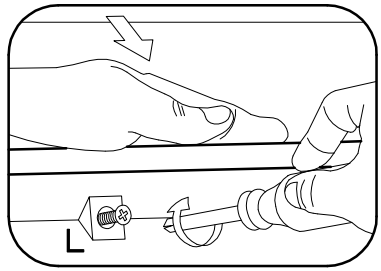
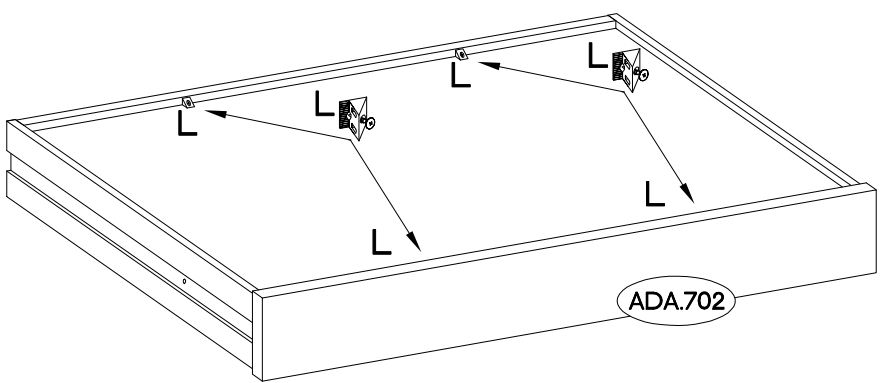
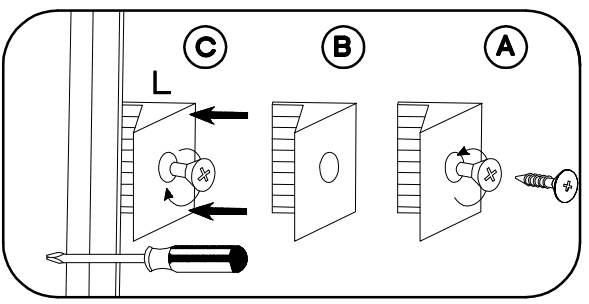
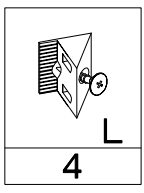
L=20/8mm  D9 2
--



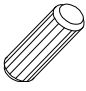

4

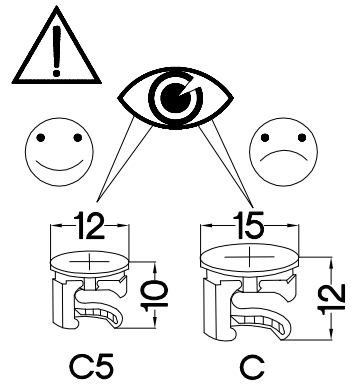
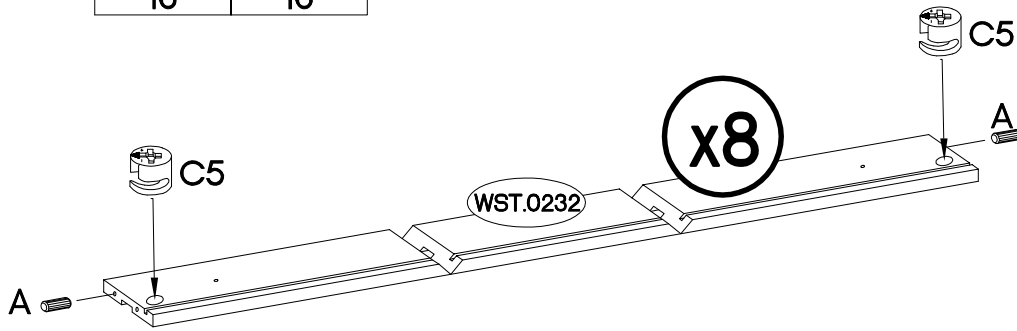
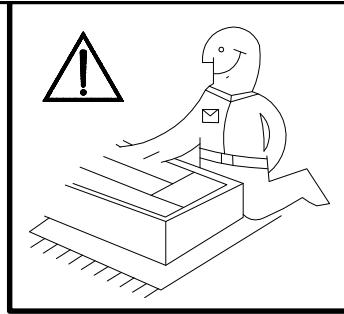


5




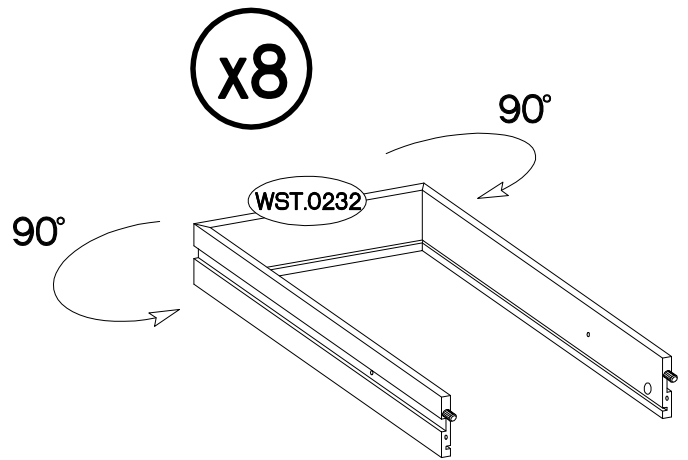
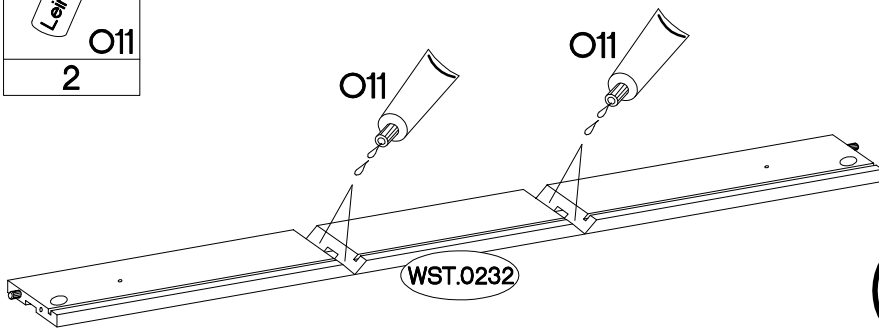
6

†8x30mm  A 16	†12/10mm  C5 16
--	--




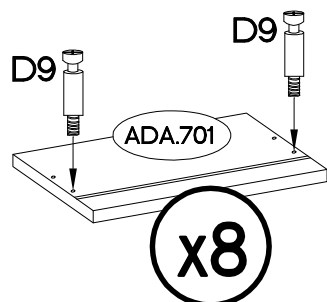
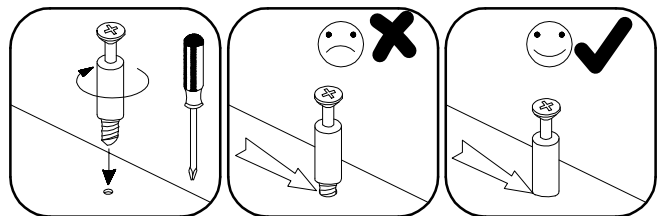
7

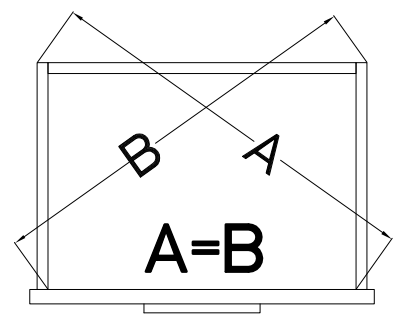
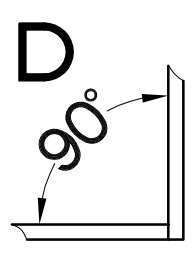
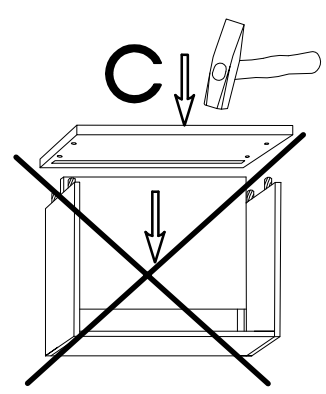
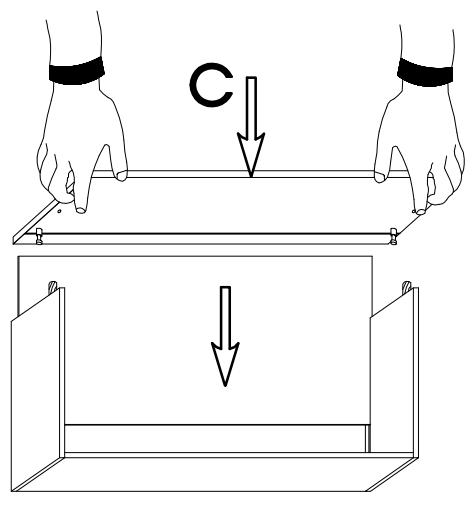
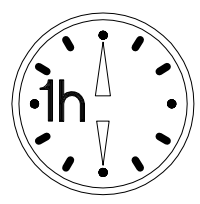
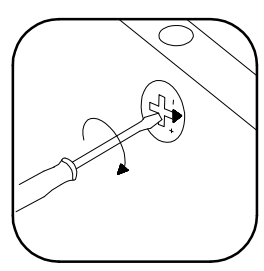
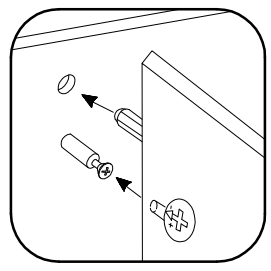
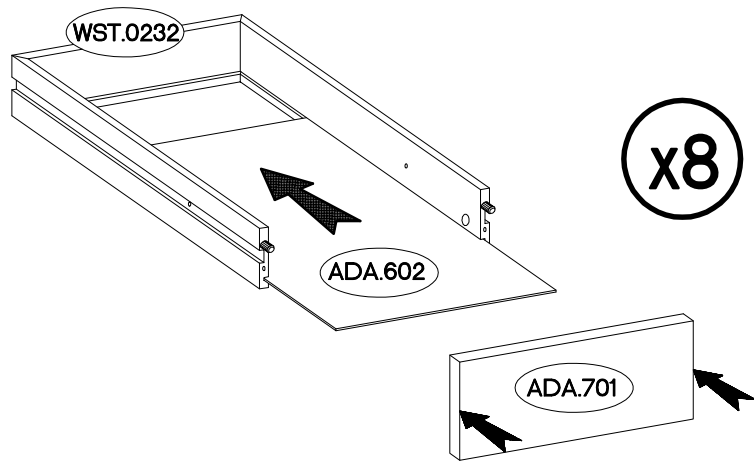
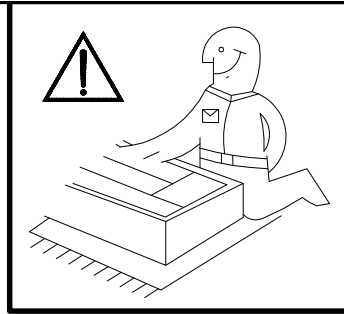
0,05  O11 2

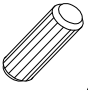



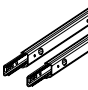



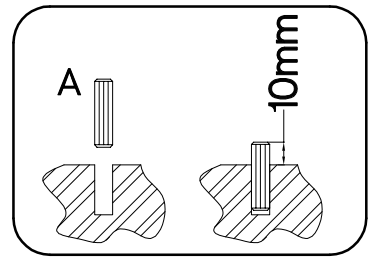
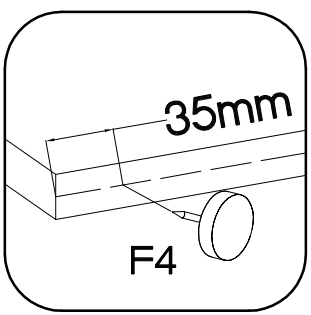
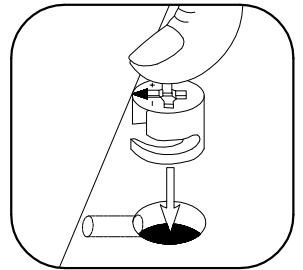
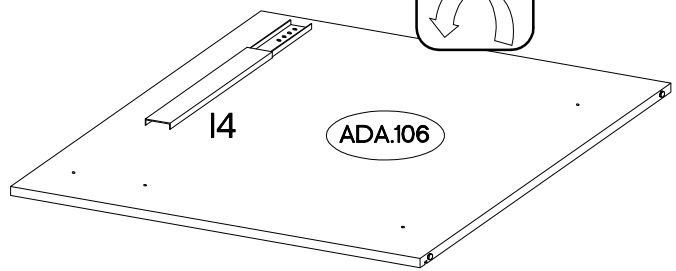
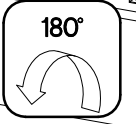
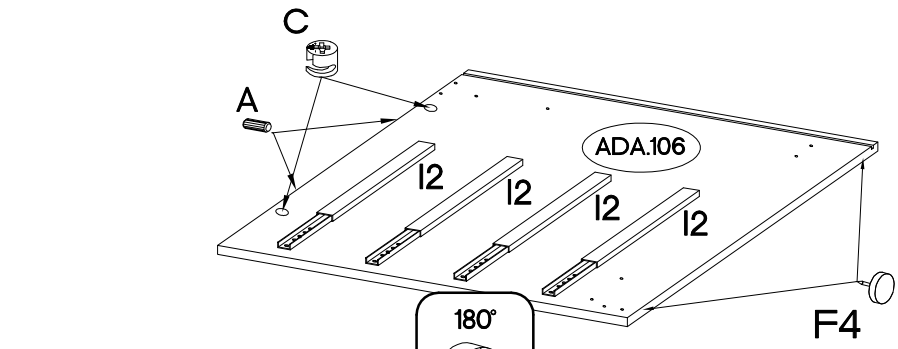
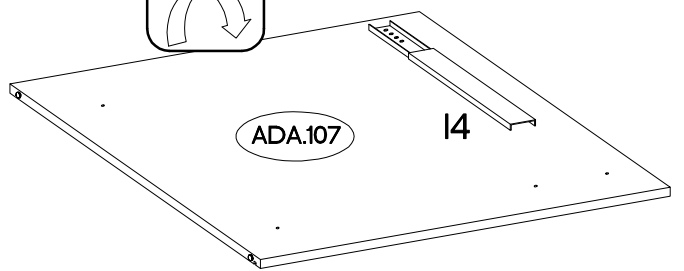
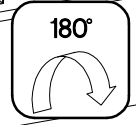
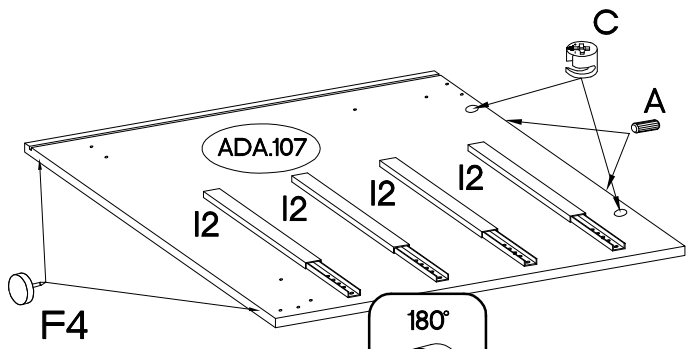
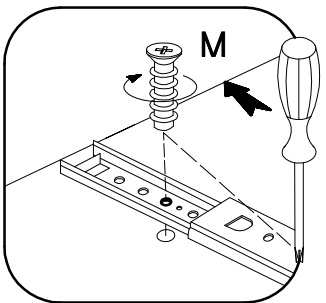
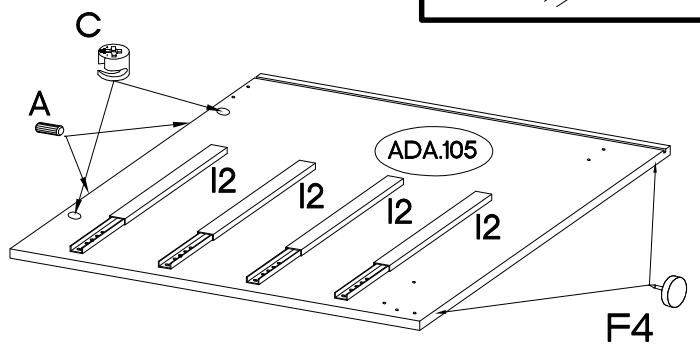
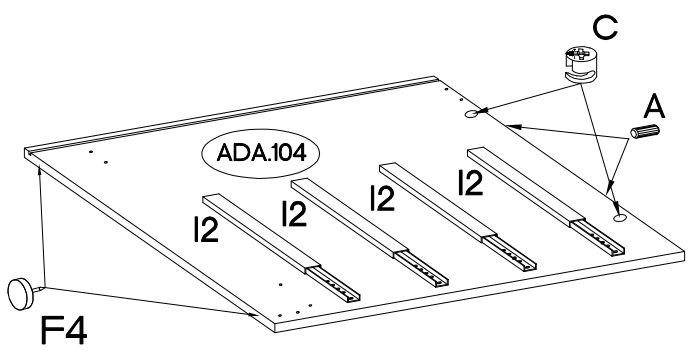
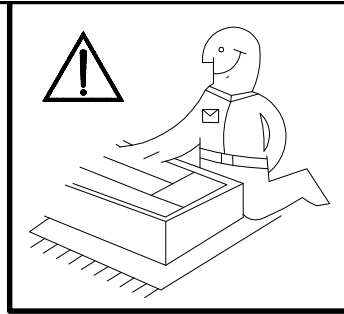
8

L=20/8mm  D9 16

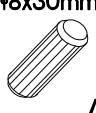



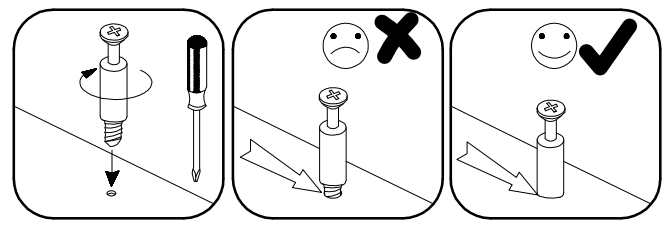
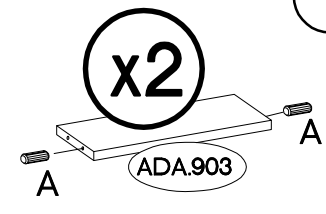
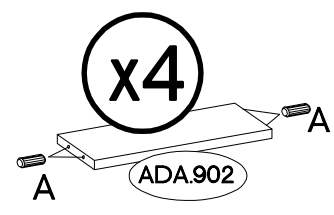
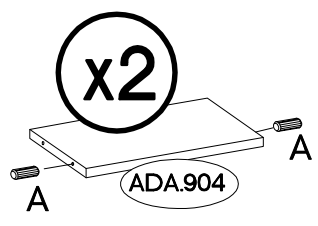
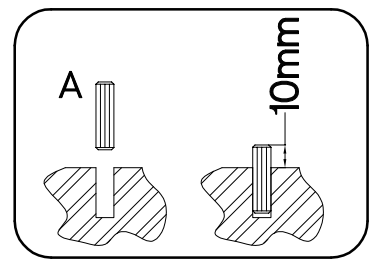
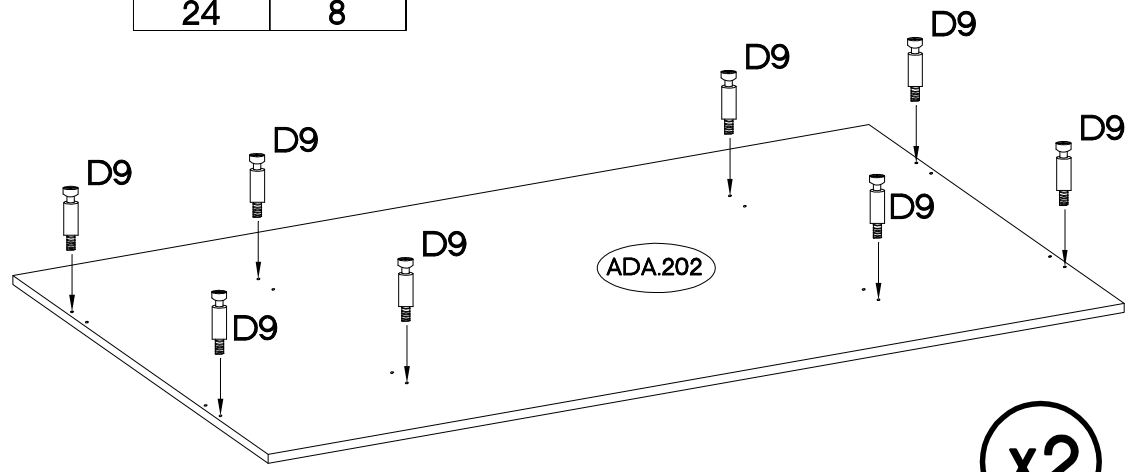
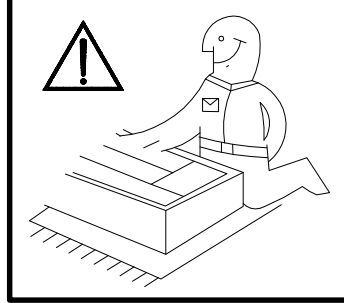


+8x30mm  A	+15/12mm  C	+15x5mm  F4	17/310mm  I2	27/310mm  I4	+5.0x13mm  M
8	8	8	8	1	36

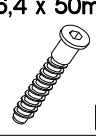
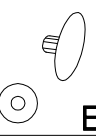



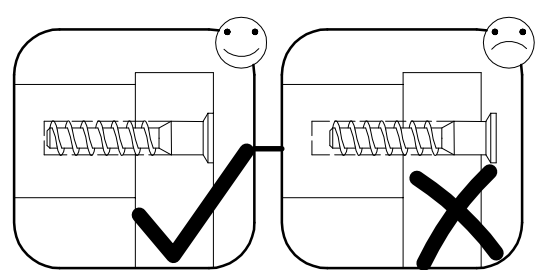
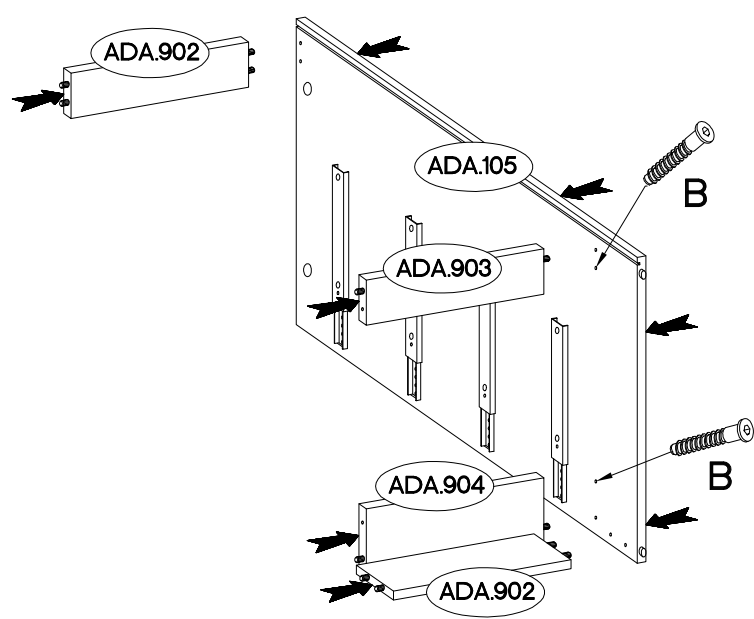
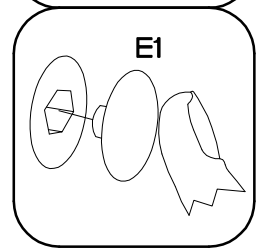
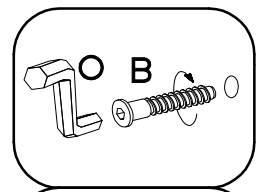
11

±8x30mm	L=20/8mm
	
A	D9
24	8



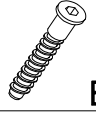
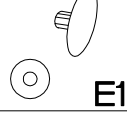
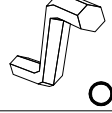
12

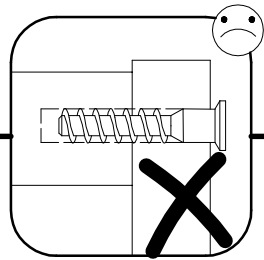
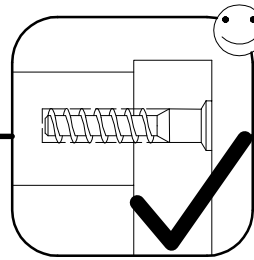
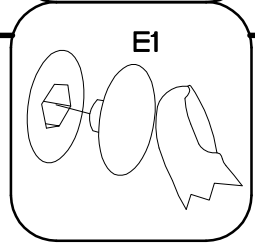
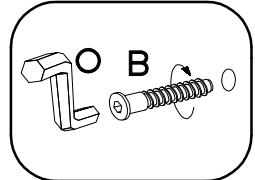
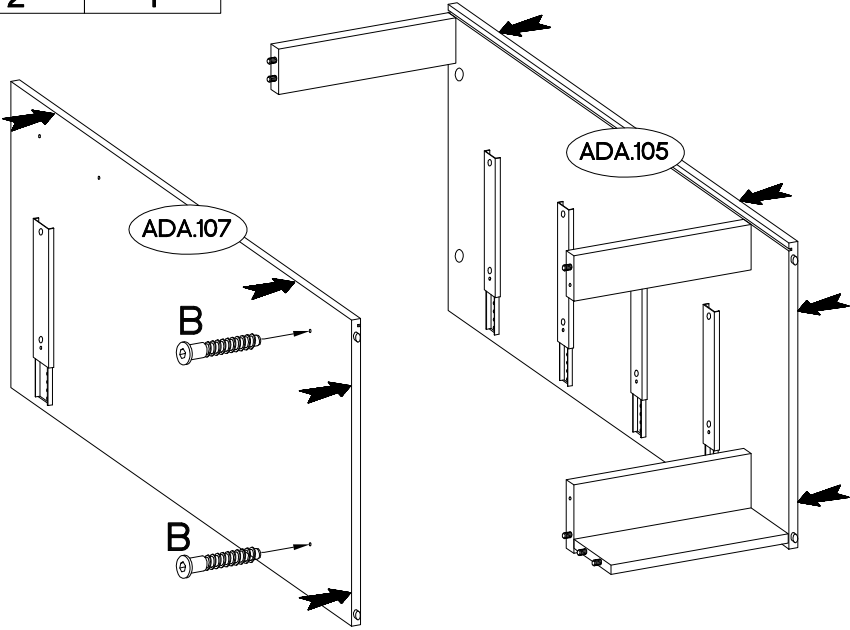
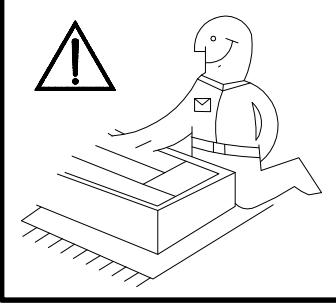
6,4 x 50mm		
		
B	E1	O
2	2	1



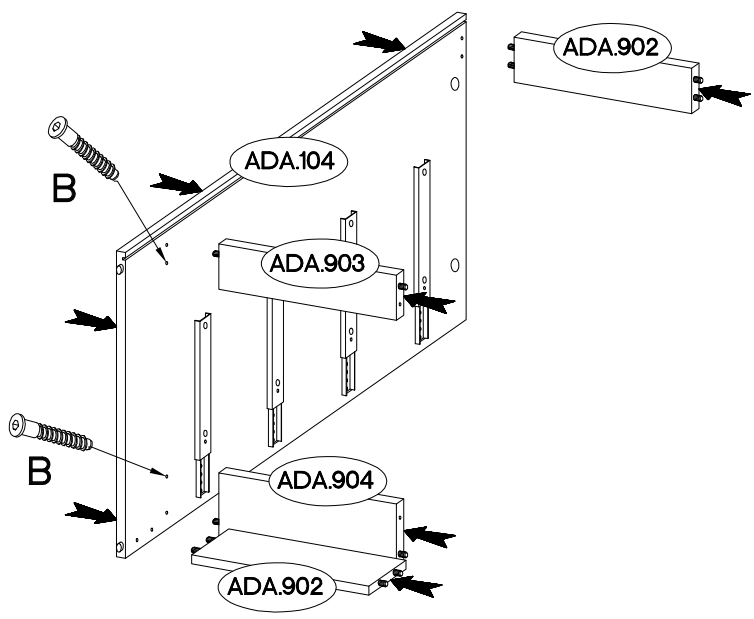
13

6,4 x 50mm

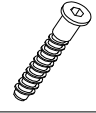
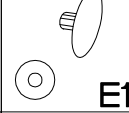
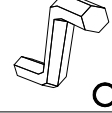
		
B	E1	O
2	2	1




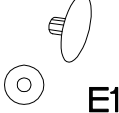
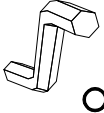
14

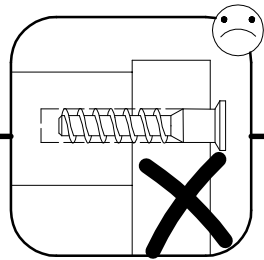
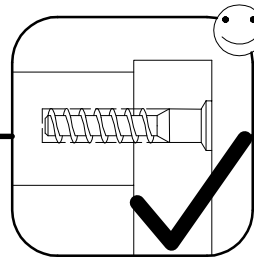
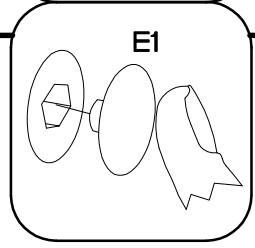
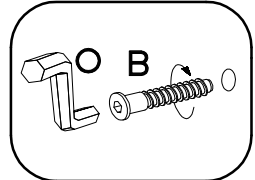
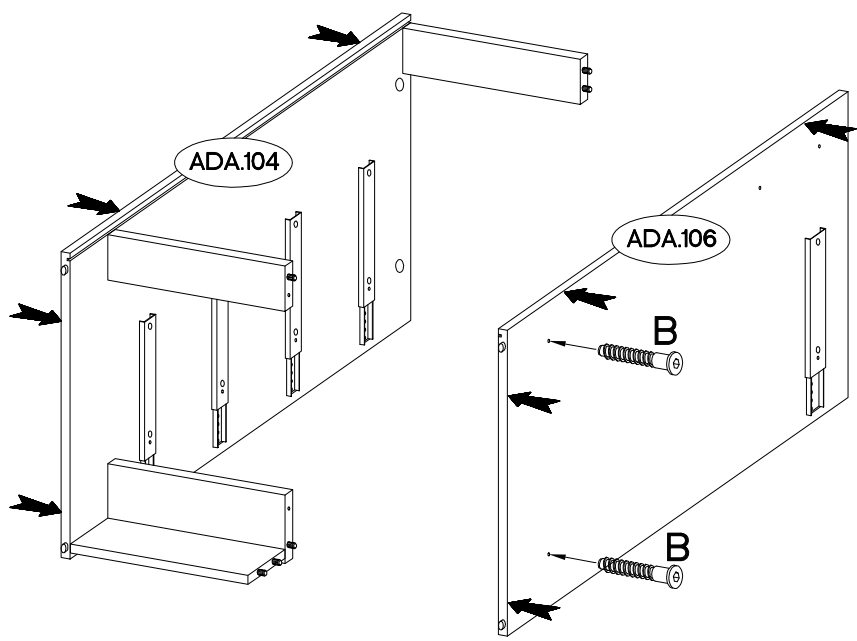
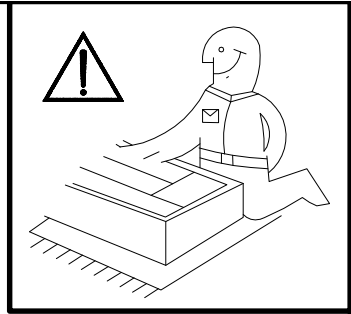


6,4 x 50mm

		
B	E1	O
2	2	1

15

6,4 x 50mm		
		
B	E1	O
2	2	1



16

